

NEUTRAL ELECTRODE



TOPrank
healthcare

Product Introduction

TOP-RANK electro-surgical pad has good adhesive and conductive properties for the safety model pad. Dispersive electrode is commonly known as patient plate, grounding pad or return electrode. It is a single use, neutral electrode, which provides a return path for high frequency electro-surgical generator. Its large and wide surface area promotes low current density, which in turn can be safely directed out of the patient's body during an electro-surgical procedure to prevent burn.

Key Features

Match to various types of Electro-surgical Unit and Radio Frequency Unit .

Foam backing negative of cytotoxicity, skin sensitization and acute cutaneous irritation.

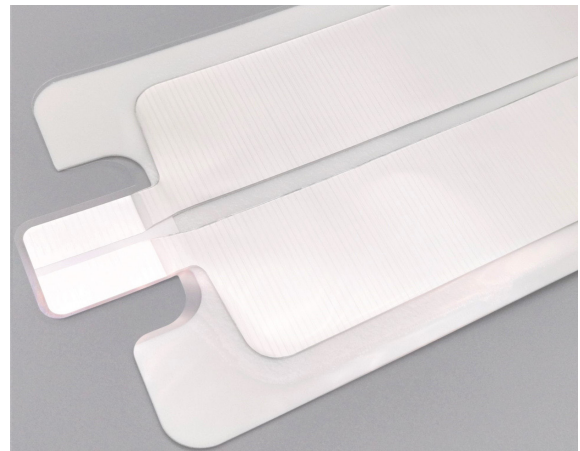
Safety model pad' s conductive gel over the edge of metal foil, more safety.

Electrode is compatible with all electro surgery units in accordance with the international standards.

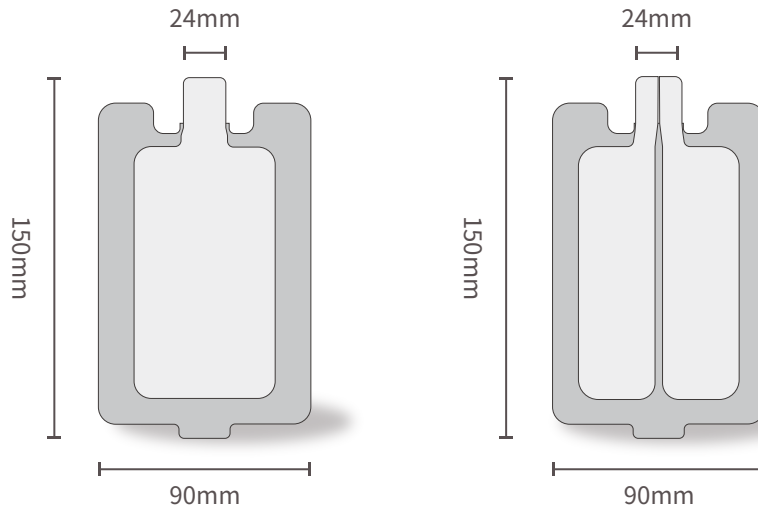
Large and wide surface area promotes low current density.



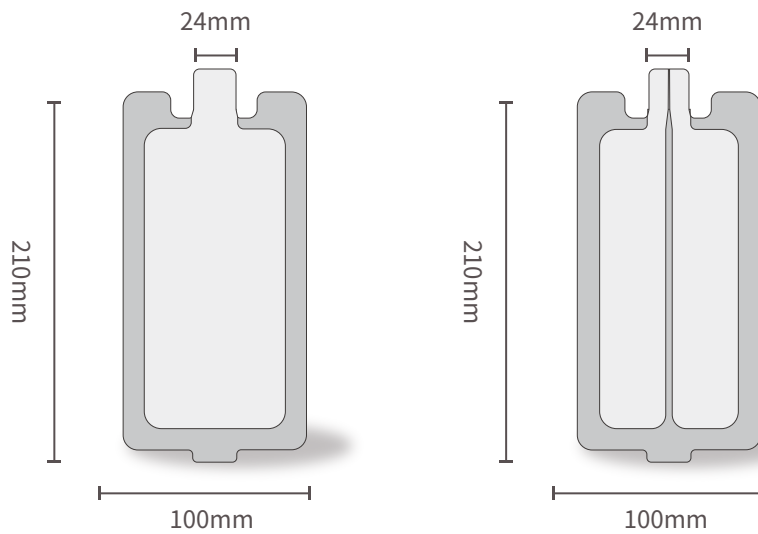
Product Details



Product Model Number

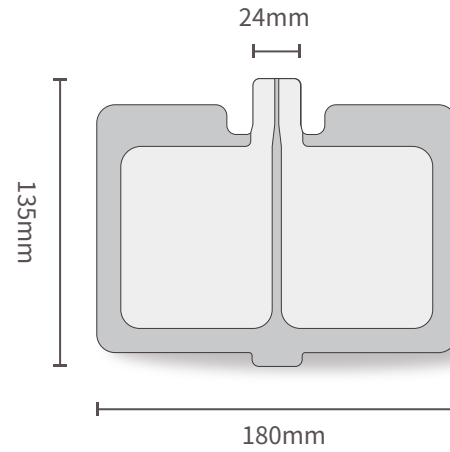
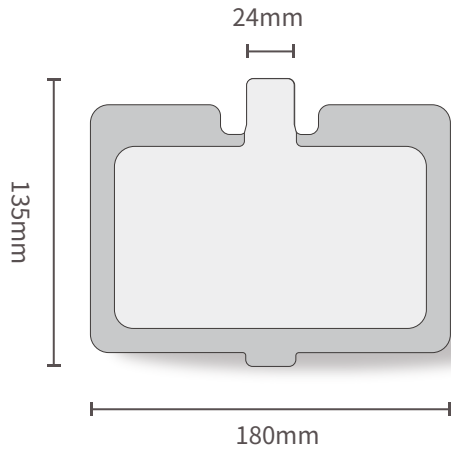


Serial Number	Model	Size	Monopole or Bipolar	Whether the cable is connected	Applicable Group
01	EP01	150mm×90mm	Monopole	NO	Children
02	EP02	150mm×90mm	Bipolar	NO	Children

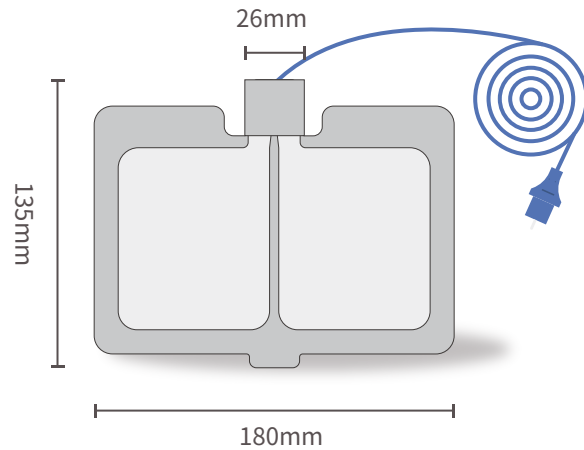
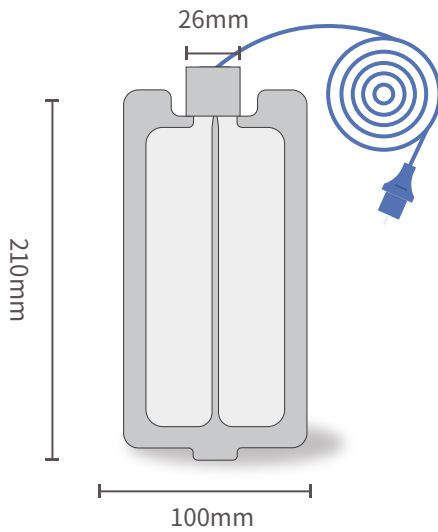


Serial Number	Model	Size	Monopole or Bipolar	Whether the cable is connected	Applicable Group
03	EP03	210mm×100mm	Monopole	NO	Adult
04	EP04	210mm×100mm	Bipolar	NO	Adult

Product Model Number



Serial Number	Model	Size	Monopole or Bipolar	Whether the cable is connected	Applicable Group
05	EI01	135mm × 180mm	Monopole	NO	Adult
06	EI03	135mm × 180mm	Bipolar	NO	Adult



Serial Number	Model	Size	Monopole or Bipolar	Whether the cable is connected	Applicable Group
07	EC04	210mm × 100mm	Bipolar	YES	Adult
08	EI04	135mm × 180mm	Bipolar	YES	Adult

Technical Specifications

Comprehensive structure

PET

Material: polyethylene terephthalate

Color: transparent film

Thickness: 0.1 ± 0.01 mm

The aluminum foil

Material: Aluminum

Color: silver white

Thickness: 0.1 ± 0.01 mm

PET protective film

Material: polyethylene terephthalate

Color: White

Thickness: 0.15 ± 0.01 mm

Connecting Cables

Material: PVC+ tinned copper wire + copper pipe

Color: Blue PVC, brass

Thickness: line length 3m, $\Phi 2.35$ mm, REM single
-pin double-hole plug connection line

Get

Material: medical polyacrylate

Color: clear gel

Thickness: 0.7 ± 0.02 mm

Foam

Material: polyethylene

Color: White

Thickness: 0.9 ± 0.05 mm

Release paper

Material: cellulose + dimethyl silicone oil

Color: transparent

Thickness: 0.1 ± 0.01 mm

Office

Room2008, 20/F,Block A,China ResourcesBuild-
ing,1366 Qianjiang Road, Hangzhou P.R.C(310020)

Tel: +86(575)82912999/82915999

Fax: +86(575)82670000

Factory

MaShan Village, Dongguan Street, Shangyu
City, Zhejiang Province, P.R.CHINA. 312352

Tel: +86(575)82563666

Fax: +86(575)82563750